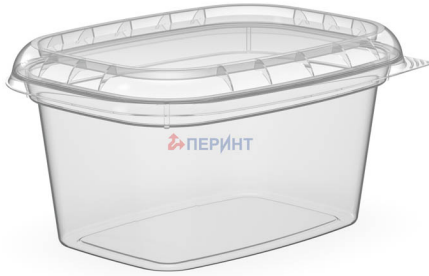


Rectangular container 240ml/ 88mm sealing

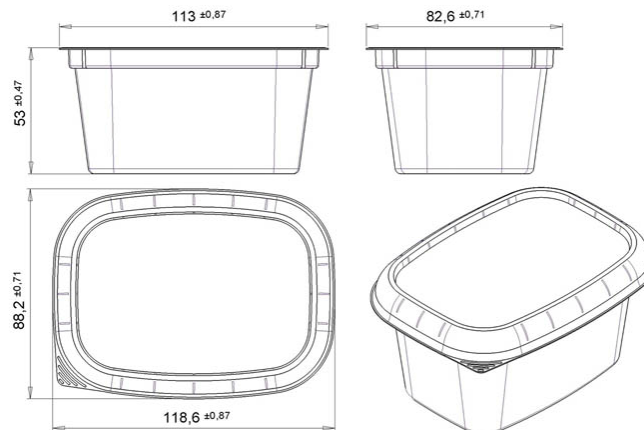
Product code: 00028192



Volume, ml	240
Lid size, mm	88
Height, mm	54
Base shape	Rectangular
Side wall shape	Straight
Types of closures	-
Types of lids	Snap-on lid
IML on body	-
IML on the lid	-



Minimum order quantity	Body	Lid	Set
Pieces per box	900	1 800	1 800
Logistics	Body	Lid	Set
Pieces per box	900	1 800	1 800
Box size (mm)	580x370x375	600x400x315	-
Box weight with product (kg)	10,2	11,1	31,6
Volume (m3)	0,095	0,089	0,279
Quantity of boxes (pcs)	2	1	3
Quantity in pallet (pcs)	18 000	43 200	-
Pallet weight with goods (kg)	226	289	-
Pallet height with goods (m)	2,02	2,04	-



 Fish processing

 Dairy products

 Confectionery

 HoReCa

 Fats & Oils

 Cooking

 Laquers & Paints

 Pet food

 Cosmetics

 Fasteners

 Fishing gear

 Household chemicals

